

Phoenix D850

Portable Desiccant Dehumidifier

Low Grains, Wide Operating Range

The Phoenix D850 provides the perfect blend of portability, versatility, and performance the restoration industry has been seeking in a medium-capacity desiccant dehumidifier. It combines the wide operating range and ultra-low grains of the Phoenix 1200 with the portability of an LGR like our Phoenix 250 Max. The included remote humidistat and process blower speed control allow you to tailor the drying to the task at hand. The D850 operates both vertically or horizontally and is perfect for low clearance applications, fitting inside most crawlspaces. The lower carrying handle makes moving the unit down stairs, as well as into and out of a crawlspace, a breeze.

The Phoenix D850 delivers 850 CFM of ultra-low grain process air and removes a stunning 370 pints per day at AHAM conditions. The true four-hole design* allows for positive, neutral, or negative pressurization of the affected area. Three-hole desiccants** inherently pull unaffected and/or outside air into the drying chamber. Power to the unit is provided by either a 30- or 50- amp, 230-volt grounded power cord (both are included). The reactivation air stream is ducted through 6" flex duct, which is also provided with the unit.

*Having completely separate process and regeneration airstreams.

**Where regeneration airstream is pulled from the process airstream.

When to use:

- D850 is ideal for drying low evaporation materials such as concrete, brick, plaster, and hardwoods.
- D850 performs better in cooler temperatures (below 70°) than refrigerant dehumidifiers
- D850 desiccant is sized for 2 ACH (class 2) for up to 25,500 cu.ft and up to 3 ACH (class 3 & 4) on 17,000 cu.ft

How to use:

- Use Max Water when primarily drying the air
- Use Max Grains when tenting or drying low evaporation materials
- The unit can operate horizontally or vertically
- Duct the reactivation outlet (225 CFM) outside the affected area or into refrigerant dehumidifier(s) with +350 CFM inlet.



Patent Pending



Xactimate Code:
WTRDHMD>

Features

- 850 CFM of Process Air Flow
- Ultra Low Grains or Max Water Removal
- True Four Hole Desiccant
- Operates Vertically and Horizontally
- Runs on 240V 50A or 30A Connections
- Small Size and Weight
- Legendary Stainless Construction

www.UsePhoenix.com

www.FaceBook.com/UsePhoenix

[www.YouTube.com/user/Use Phoenix](http://www.YouTube.com/user/UsePhoenix)

Let's Be Friends



View Our Videos



Connect with Us



Phoenix D850

Specifications

Part No.	4034000
Power	208-240VAC, 50/60Hz, Single Phase 30A or 50A branch circuit protection (24A or 40A actual amp draw)
Water Removal	370 pints/day @ AHAM (80°F, 60%)
Blower	850 CFM Process Airflow 225 CFM Reactivation Airflow
Operating Range	-10°F to 120°F
Filters	Process filter size: 20" x 20" x 2" Reactivation filter size: 9" x 11 3/8" x 1/4"
Duct Connections	Process Inlet: 18" or 12" Flex-Duct (optional) Process Outlet: 10" Lay Flat collar (optional) Reactivation Inlet: 6" Flex-Duct (optional) Reactivation Outlet: 6" Flex-Duct (required)

Warranty One year Parts and Labor

Dimensions:

	Machine	Shipping
Width	20"	24"
Height	41"	47"
Depth	23.25"	26"
Weight	155 Lbs.	173 Lbs.

Popular Accessories

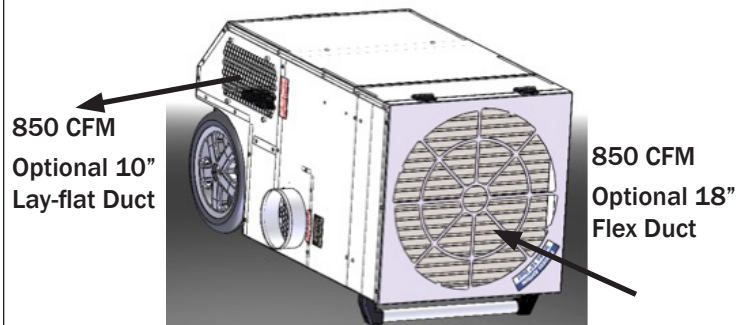
4026859	6" Metalized Polyester Flex-Duct 25' (Standard)
4020128	6" Insulated Flex-Duct 25'
4024750	12" Metalized Polyester Flex Duct 25'
4023643	18" Metalized Polyester Flex Duct 25'
4022537	10" Lay Flat Duct 500'
4024935	10" Lay Flat Duct 250'
4024440	Kestrel 3000 Multi-Function Air Meter
4030115	Reed LM 8000 Multi-Function Meter
4027326	25' 240V Cord Kit
4031045	50' 240V Cord Kit
4031046	75' 240V Cord Kit
4031047	100' 240V Cord Kit
4036662	Remote Humidistat

Process Air Filter Replacement

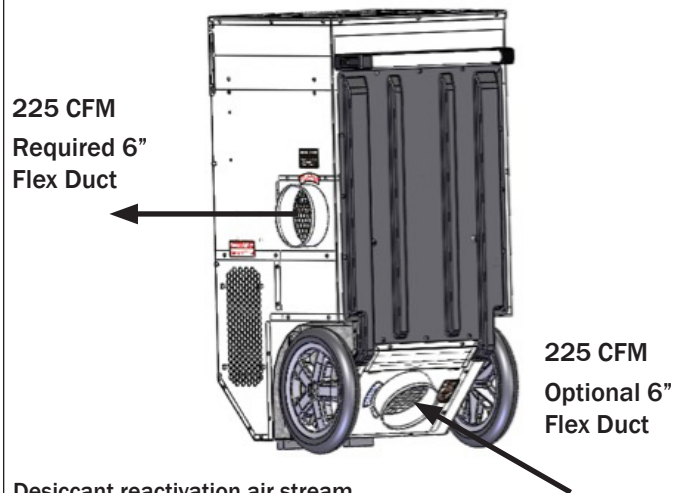
4022636 20" x 20" x 2" MERV 8 Filter (Standard)

Reactivation Air Filter Replacement

4027168 9" x 11-3/8" x 0.25" Pre-Filter (Standard)



Desiccant process air stream



Desiccant reactivation air stream



6in flex duct



Small storage compartment