

# Owner's Manual — Phoenix CAM Pro

## Installation, Operation & Service Instructions

### *Read and Save These Instructions*

Low amp draw, balanced airflow characteristics and maximum velocity of 2700 FPM are what propel the Phoenix to rise above the competition.

The unique 1/3 horsepower design of the Phoenix Centrifugal Air Mover Pro, coupled with a two-speed switch, allows the restoration technician to deliver the most airflow using the fewest amps.

Maximum amp draw on high speed is 2.8 amps. This drops to a mere 2.4 amps on low speed. It is now possible to fit as many as four Phoenix Centrifugal Air Mover Pros onto a typical 15 amp household circuit. The Phoenix CAM is lightweight and has an on-board duplex GFCI outlet, circuit breaker, and superior cord management.

The Phoenix housing is durable, washable, and chemical resistant. It features multiple operating positions allowing it to be angled up from horizontal to 45° and 90°.

#### **The Phoenix Centrifugal Air Mover Pro**

- 2-Speed 1/3 Horsepower Motor
  - 2.8 Amps on High Speed
  - 2.4 Amps on Low Speed
- Maximum Velocities 2700 FPM
- Balanced Exhaust Airflow
- Directional Airflow
  - Horizontal, 45° Angle, 90° Angle
- Durable, rugged, chemical resistant housing, fan wheel, and controls design.
- Operator interface conveniently located for easy access, featuring: power indicator lamp and large three-position switch.
- Phoenix exclusive Pilot Light and Sealed Switch are recessed to prevent damage.
- Ergonomic carry handle and power cord storage.
- Non-marking, anti-skid, rubber feet.



Phoenix Centrifugal Air Mover Pro  
PN 4027550

## Table of Contents

Introduction .....	1
Centrifugal Air Mover Pro Features and Benefits .....	1
1. Safety Information .....	2
2. Specifications .....	3
3. Power Requirements .....	3
3.1 Daisy-Chaining .....	3
3.2 Recommended Use .....	4
4. Operating Instructions .....	4
5. Operator Panel Features .....	4
5.1 12 Amp Circuit Breaker .....	4
5.2 Power Indication Lamp .....	4
5.3 3-Position Drying Selector Switch .....	4
5.4 GFCI Protection .....	5
6. Maintenance .....	5
6.1 Servicing .....	5
6.2 Cleaning .....	5
7. Replacement Parts and Optional Accessories .....	5
8. Wiring Diagram .....	6
Warranty .....	7

Serial No. \_\_\_\_\_

Purchase Date \_\_\_\_\_

Dealer's Name \_\_\_\_\_

Read the operation and maintenance instructions carefully before using this unit. Proper adherence to these instructions is essential to obtain maximum benefit from your Phoenix **4027550**.

# 1 Safety Information

When using any rotational electrical device basic precautions should always be followed, including the following:

## CAUTION

**CAUTION!** For general ventilating use only. Do not use in environments containing hazardous or explosive materials and vapors.

- Do not operate the unit without the safety guards properly installed and secured. Do not operate the unit if the guards become damaged. Contact Therma-Stor for replacement parts.
- Always replace the guards as originally installed after servicing or cleaning the product.
- Never place your face, hands, or other susceptible body parts in the air stream, inlets, or outlet of this device.
- This fan is not a toy! Ensure children do not play with and do not have access to the equipment. Do not allow children to play with or stand near the unit or in its air flow.
- Do not use this fan with any solid-state speed control device.
- Do not operate unit with a cut or frayed power cord. Replace cord if it becomes damaged.
- Handle with care. Do not drop or throw the unit. The unit can be damaged under harsh treatment.
- Do not unplug the unit by pulling on the cord. Grasp the plug firmly and pull it out of the wall socket or power receptacle.
- Always use a grounded outlet.
- Do not plug more than 9.3 amps total into the GFCI outlet.
- Check GFCI protection before each use by pushing “test” button. If operating properly, “reset” button will pop out.
- Never operate electrical equipment in standing water.
- Never operate with the safety grills removed. Personal injury may result.
- Do not stick your fingers or other objects through the safety grills.
- Do not restrict airflow to the unit. This may cause the unit to overheat.
- Unit should never be serviced or cleaned while it is plugged in.
- Make sure the unit is secure, stable and safe from falling over or falling down before operating.
- Do not sit or stand on the unit or use as a step.
- Do not leave device plugged in when not in use.
- Indoor use only. Do not expose to water or rain (store indoors.)

- Use only as described in this manual.
- Use only Manufacturer's recommended attachments. Contact Therma-Stor for proper repair instructions.
- Do not pull or carry it by the power cord, use cord as a handle, close doors on cord or pull cord around sharp edges.
- Do not run or drive over cord.
- Keep cord away from heated surfaces.
- Do not handle power cord plug with wet hands.
- Turn off all controls before unplugging.
- Do not use when you are tired, distracted or under the influence of drugs, alcohol or medication.

## LIRE ET CONSERVER CES INSTRUCTIONS

- Risque de choc électrique Peut causer des blessures ou la mort. Débrancher toutes les alimentations en courant électrique à distance avant l'entretien ou le nettoyage.
- Ne pas utiliser l'appareil avec un cordon d'alimentation coupé ou effiloché.
- Ne pas débrancher l'appareil en tirant sur le cordon. Tenir la fiche fermement et la tirer hors de la prise murale ou la prise d'alimentation électrique.
- Toujours utiliser une prise mise à la terre.
- Ne jamais utiliser l'équipement électrique dans de l'eau stagnante.
- Ne jamais utiliser sans les grilles de protection. Des blessures risquent d'en résulter.
- Ne pas brancher plus de 8 ampères au total au différentiel.
- Vérifier la protection du différentiel avant chaque utilisation en appuyant sur le bouton " test ". Si l'appareil fonctionne correctement, le bouton " reset " ressort.
- Ne pas passer les doigts ou d'autres objets dans les grilles de protection.
- Ne pas diminuer le débit d'air arrivant jusqu'à l'appareil. L'appareil risque de trop chauffer.
- Ne pas s'asseoir ou se tenir debout sur l'appareil; ne pas l'utiliser comme étagère ou table.
- Avant de laisser un appareil aéraulique axial sans surveillance, s'assurer que les enfants n'ont pas accès à l'équipement. Ne pas laisser les enfants jouer avec l'appareil ou à proximité de l'appareil ou dans l'air qu'il projette.
- Pour réduire le risque d'incendie ou de choc électrique, ne pas utiliser ce ventilateur avec un dispositif de commande de vitesse à semi-conducteurs.

## 2 Specifications

<b>Part No.</b>	4027550	
<b>Power</b>	115 VAC, 60 hz.	
<b>Operating Positions</b>	3 – 0°, 45°, 90°	
<b>Drive Motor</b>	1 /3 Horsepower, 2-Speed	
<b>Motor</b>	Thermal cut-off	
<b>Protection</b>		
<b>Cord Length</b>	25 Feet	
<b>Airflow</b>	2700 ft/min outlet velocity	
<b>Current Draw</b>	2.8 Amps High speed, 2.4 Amps Low speed	
<b>Warranty</b>	One Year - 100% parts and labor (all components) Two Years - 100% parts only (all components) Three Years - Only materials and workmanship of the housing are covered.	

<b>Dimensions</b>	<b>Machine</b>	<b>Shipping</b>
<b>Width</b>	17"	17.3"
<b>Height</b>	20"	20"
<b>Depth</b>	19.4"	20"
<b>Weight</b>	26.5 lb	28 lb

## 3 Power Requirements

### 3.1 Daisy Chaining

The Phoenix Centrifugal Air Mover draws 2.8 amps. The 12 amp, on-board circuit breaker will allow **four (4)** Phoenix Centrifugal Air Movers on one circuit. When daisy-chaining the Phoenix Centrifugal Air Mover, turn on one Phoenix Centrifugal Air Mover at a time to prevent excessive current inrush caused by four units starting at once.

A ground fault in the Phoenix Centrifugal Air Mover Pro or anywhere on the circuit will cause the Phoenix Centrifugal Air Mover's GFCI to trip. After rectifying the ground fault, reset the GFCI by pressing the reset button.

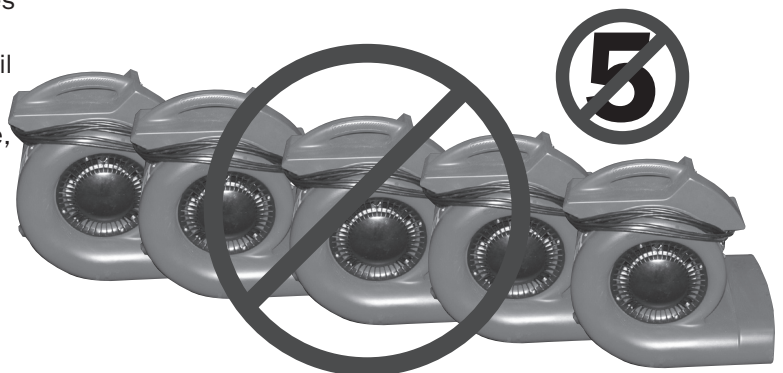


Figure 1: Too many Centrifugal Air Movers daisy-chained

### 3.2 Recommended Use

Recommended use(s) of on-board duplex GFCI are shown.

**Note: Standard 115 VAC electrical outlets.**

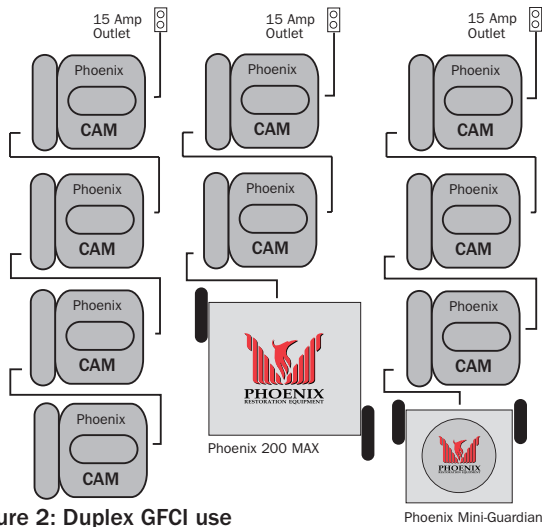


Figure 2: Duplex GFCI use

## 4 Operation Instructions

The Phoenix Centrifugal Air Mover Pro is intended for use by water damage restoration, carpet cleaning, construction, and janitorial/sanitation professionals in general ventilating and structural surface drying applications. The Phoenix Centrifugal Air Mover Pro as packaged is ready to be put into service. Inspect the unit completely for any shipping damage. Place the unit on the ground. Check the GFCI to ensure it is not tripped. Plug the unit into a grounded outlet and select the drying mode.

### CAUTION

**CAUTION: The Phoenix Centrifugal Air Mover Pro consumes 2.8 Amps on high speed. Do not plug devices requiring more than 9.3 Amps of current into the duplex outlet.**

## 5 Operator Panel Features

### 5.1 12 Amp Resettable Circuit Breaker

The 12 AMP thermal response resettable circuit breaker protects the unit and devices connected to its duplex GFCI outlet.

The circuit breaker is designed to sense the total current draw through the circuit. The circuit breaker “trips” when more than 12 amps of electrical current are drawn through the device’s power cord. Should an over-current condition occur, the Centrifugal Air Movers’ on-board circuit breaker trips thus preventing nuisance visits to a remote power junction box.

To reset on-board breaker, remove over drawing equipment. Allow to cool for 10 minutes and reset breaker.

### ! IMPORTANT

**IMPORTANT: Total amperage of the Centrifugal Air Mover plus all devices plugged into the receptacle must not exceed 12 amps. The circuit breaker will not allow for loads in excess of 12 amps, although there is a time delay before the overloaded circuit is broken.**

### 5.2 Power Indication Lamp

The red, sealed, high intensity AC voltage power indication lamp allows operators to visually identify the operation status of several Phoenix Centrifugal Air Mover Pros at a distance, with a single glance. The power indication lamp will remain lit when the AC power cord is plugged into a standard “powered” AC power outlet and the 3-Position drying selector switch is in either the HIGH or LOW operation position. The power indication lamp will remain unlit when the AC power cord is unplugged, the 3-Position drying selector switch in the OFF position, the on-board GFCI or 12 Amp circuit breaker is tripped, or the connected, standard AC wall outlet power has been turned off.

### 5.3 3-Position Drying Selector Switch

The Phoenix Centrifugal Air Mover Pro features a three-position switch - LOW-OFF-HIGH.

1. Inspect the machine for damage and airflow obstructions prior to plugging it in or operating it.
2. Ensure the power switch is in the OFF (middle) position.
3. Place the machine into the desired position for operation. Ensure that the machine rests stable and secure and will not overturn.
4. Plug the power cord into a GFCI protected outlet. Do not use an extension cord in conjunction with the standard power cord.
5. Turn the unit on to the desired speed, high or low.

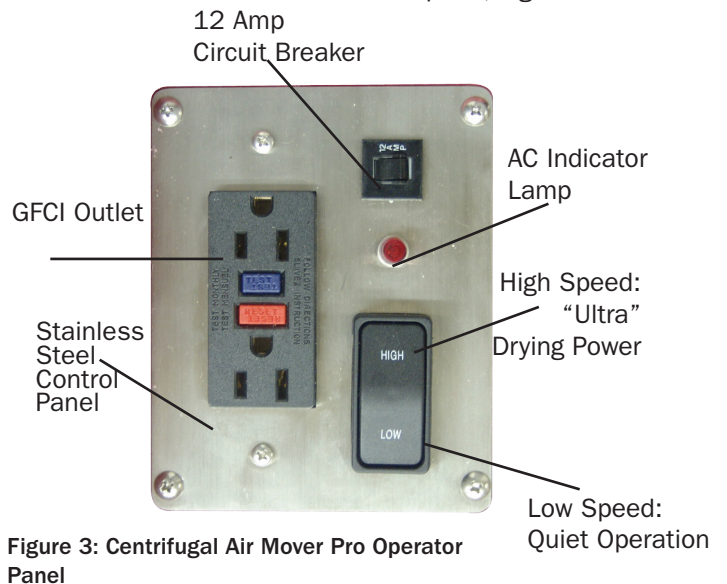


Figure 3: Centrifugal Air Mover Pro Operator Panel

## 5.4 GFCI Protection and the On-Board Duplex Outlet

The standard AC voltage outlet GFCI (Ground Fault Circuit Interrupter) promotes operator safety in wet applications. GFCI devices trip when a fault to electrical ground is sensed.

It is recommended to check the GFCI protection prior to operation. To check, push the “TEST” button located on the GFCI duplex outlet will pop out. If operating properly the “RESET” button on the GFCI outlet will pop out. Depending on your Centrifugal Air Movers specific equipment, a tripped GFCI may be indicated by a small LED. The device can only be “RESET” when the Centrifugal Air Mover is connected to a wall outlet providing standard voltage. This duplex AC outlet allows the inter-connection of other AC powered devices. The sum total amperage of all devices (excluding the first fan) plugged into the receptacle must not exceed 8.5 amps.

## 6 Maintenance

### WARNING

**WARNING:** *Disconnect the unit from power before servicing or cleaning. Replace the safety grill after servicing, lubrication or cleaning.*

### 6.1 Servicing

Before each use, inspect for damage, blocked inlet or outlet, or any excess buildup of foreign material.

Inspect the GFCI to ensure it is not in a “tripped” condition. Push “RESET” to reset the GFCI.

When the Phoenix Centrifugal Air Mover Pro is first turned on, check for excessive vibration. If the unit vibrates excessively or if blower wheel rubs on housing, turn off the unit immediately. Have a service technician inspect the unit to locate the problem.

### 6.2 Cleaning

The housing is made of a durable and washable polyethylene. When cleaning, the use of solvents is NOT recommended.

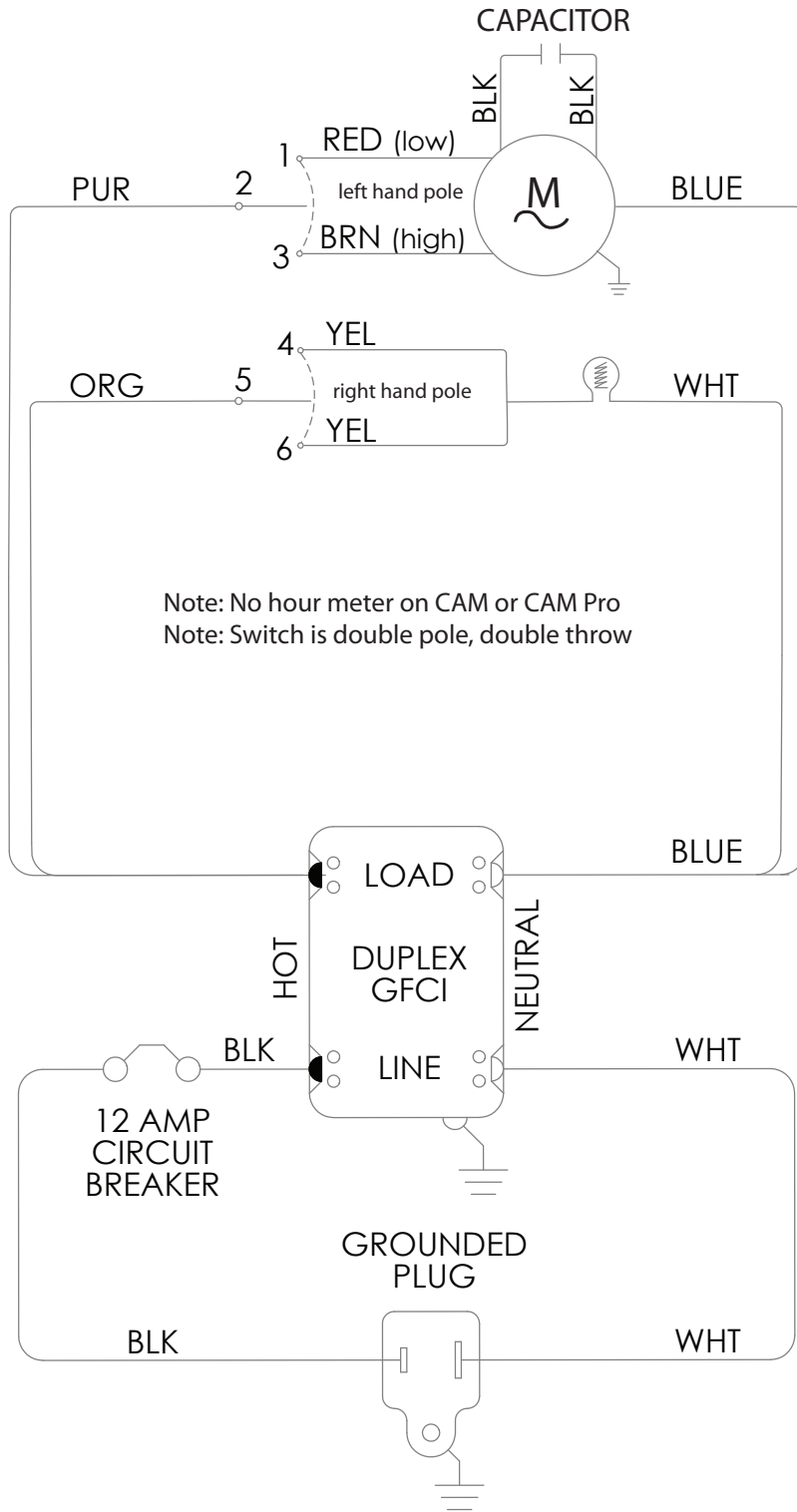
## 7 Replacement Parts and Optional Accessories

4030989	motor, 60HZ
4027572	blower wheel
4029721	rocker switch
4025458	red pilot light
4029742	cord
4027517	inlet grill, motor side
4027519	inlet grill, wheel side
4027521	grill, snout
4025203	breaker
4025205	GFCI

Contact the factory at 1-800-533-7533 to order replacement parts, or optional accessories

*Specifications subject to change without notice.*

# 8 Wiring Diagram





## Phoenix Centrifugal Air Mover Pro Limited Warranty

**Warrantor:**

Therma-Stor LLC  
4201 Lien Rd  
Madison, WI 53704  
Telephone: 1-800-533-7533

**Warranty:** This warranty covers Phoenix Centrifugal Air Mover Pros, Part Number 4027550

**One Year Warranty:** - 100% parts and labor (all components)

**Two Year Warranty:** - 100% parts only (all components)

**Three Year Warranty:** - Materials and workmanship of the housing only are covered.

If a defect in materials or workmanship occurs within the warranty period, Therma-Stor LLC will repair or replace the defect.

**End-User Responsibilities:** Warranty service must be performed by a servicer authorized by Therma-Stor LLC. To obtain warranty service you must obtain a return material authorization (RMA). To obtain an RMA you must present proof of purchase or (lease), by use of a warranty card, original sales receipt or other reasonable and reliable means. To obtain an RMA call Therma-Stor LLC at the above number and ask for the Therma-Stor LLC Service Department, which will then issue an RMA# and arrange for, at our option, either repair or replacement.

**Freight:** Freight to and from the servicer is the responsibility of the end-user. The end-user is responsible for normal care and proper return packaging.

**Limitations and Exclusions:** This warranty does not cover any defect, malfunction, etc. resulting from misuse, abuse, lack of normal care, corrosion, freezing, tampering, modification, unauthorized or improper repair or installation, accident, acts of nature or any other cause beyond Therma-Stor LLC's reasonable control.

If any Phoenix Centrifugal Air Mover part is repaired or replaced, the new part shall be warranted for the balance of original warranty (but all warranty periods will be extended by the period of time, if any, that the Phoenix Centrifugal Air Mover is out of service while awaiting covered warranty service).

Warranty service will be performed during normal working hours.

UPON THE EXPIRATION OF THE WRITTEN WARRANTY APPLICABLE TO THE PHOENIX CENTRIFUGAL AIR MOVER OR ANY PART THEREOF, ALL OTHER WARRANTIES IMPLIED BY LAW, INCLUDING MERCHANTABILITY AND FITNESS FOR A PARTICULAR PURPOSE, SHALL ALSO EXPIRE. ALL WARRANTIES MADE BY THERMA-STOR LLC ARE SET FORTH HEREIN, AND NO CLAIM MAY BE MADE AGAINST THERMA-STOR BASED ON ANY ORAL WARRANTY. IN NO EVENT SHALL THERMA-STOR LLC, IN CONNECTION WITH THE SALE, INSTALLATION, USE, REPAIR OR REPLACEMENT OF ANY PHOENIX CENTRIFUGAL AIR MOVER OR PART THEREOF BE LIABLE UNDER ANY LEGAL THEORY FOR ANY SPECIAL, INDIRECT OR CONSEQUENTIAL DAMAGES INCLUDING WITHOUT LIMITATION WATER DAMAGE (THE END USER SHOULD TAKE PRECAUTIONS AGAINST SAME), LOST PROFITS, DELAY, OR LOSS OF USE OR DAMAGE TO ANY REAL OR PERSONAL PROPERTY.

Some states do not allow limitations on how long an implied warranty lasts, and some do not allow the exclusion or limitation of incidental or consequential damages, so one or both of these limitations may not apply to you.

**Legal Rights:** This warranty gives you specific legal rights, and you may also have other rights which vary from state to state.

