



Therma-Stor LLC

4201 LIEN RD. • MADISON, WI 53704



PHOENIX

Phoenix Stackable CAM 50Hz - Air Mover

OWNER'S MANUAL

Installation, Operation & Service Instructions - READ AND SAVE THESE INSTRUCTIONS -

The Phoenix Stackable CAM 50Hz offers all the great features of our proven CAM 50Hz, with the addition of an innovative stackable cabinet design. Featuring multiple contact points and interlocking side grills, the Phoenix Stackable CAM 50Hz can be stored safely and securely up to 4 units high, freeing up valuable space in your trucks and warehouses.

The Phoenix Stackable CAM 50Hz features class-leading airflow and efficiency. Using a unique 1/3 horsepower motor design and proprietary blower technology. The Phoenix Stackable CAM 50Hz gives you maximum airflow on a circuit, allowing up to 4 CAM 50Hzs on a standard 15 amp household circuit on high speed (or up to 6 CAM 50Hz's on low speed). The Phoenix Stackable CAM 50Hz housing is durable, washable, and chemical resistant. It features multiple operating positions allowing it to be aimed horizontally, vertically, or at 45°.

The Phoenix Stackable CAM 50Hz is also lightweight and properly balanced for easy handling.

The Phoenix Centrifugal Air Mover

- 2-Speed 1/3 Horsepower Motor
2.0 Amps on High Speed
1.5 Amps on Low Speed
- Maximum Velocity 2700 FPM (825 meters/min)
- Balanced Exhaust Airflow
- Directional Airflow
Horizontal, 45° Angle, 90° Angle
- Durable, rugged, chemical resistant housing, fan wheel, and controls design.
- Operator interface is conveniently located for easy access, featuring: power indicator lamp and large three-position switch.
- Ergonomic carry handle and power cord storage.
- Non-marking, anti-skid, rubber feet.
- Chemical resistant Polyethylene housing.
- 4 CAM 50Hz's on a circuit on high
- 6 CAM 50Hz's on a circuit on low
- 20% more CFM/Amp than our current industry leading CAM 50Hz

*PN 4032280 is pictured to demonstrate stackability.



Phoenix Stackable Centrifugal Air Mover
PN 4032280



TS-908

Specifications subject to change without notice. 08/18 Rev. A

Toll-Free in USA 1-800-533-7533 or
1-608-237-8400

USEPHOENIX.COM



Table of Contents

Introduction1
Centrifugal Air Mover Features and Benefits.....1
1. Safety Information2
2. Specifications3
3. Operating Instructions.....3
4. Operator Panel Features3
 4.1 Power Indication Lamp3
 4.2 3-Position Drying Selector Switch.....4
5. How to Stack.....4
6. Maintenance4
 6.1 Servicing.....4
 6.2 Cleaning.....4
7. Replacement Parts and Optional Accessories4
8. Wiring Diagram5
 Warranty.....6

Serial No. _____

Purchase Date _____

Dealer's Name _____

Read the operation and maintenance instructions carefully before using this unit. Proper adherence to these instructions is essential to obtain maximum benefit from your Phoenix
4032280.

1 Safety Information

When using any rotational electrical device basic precautions should always be followed, including the following:

 **CAUTION**

CAUTION! For general ventilating use only. Do not use in environments containing hazardous or explosive materials and vapors.

- Do not operate the unit without the safety guards properly installed and secured. Do not operate the unit if the guards become damaged. Contact Therma-Stor for replacement parts.
- Always replace the guards as originally installed after servicing or cleaning the product.
- Never place your face, hands, or other susceptible body parts in the air stream, inlets, or outlet of this device.
- This fan is not a toy! Ensure children do not play with and do not have access to the equipment. Do not allow children to play with or near the unit or in its air flow.
- Do not use this fan with any solid-state speed control device.
- Do not operate unit with a cut or frayed power cord. Replace cord if it becomes damaged.
- Handle with care. Do not drop or throw the unit. The unit can be damaged under harsh treatment.
- Do not unplug the unit by pulling on the cord. Grasp the plug firmly and pull it out of the wall socket or power receptacle.
- Always use a grounded outlet.
- Never operate electrical equipment in standing water.
- Never operate with the safety grills removed. Personal injury may result.
- Do not stick your fingers or other objects through the safety grills.
- Do not restrict airflow to the unit. This may cause the unit to overheat.
- Unit should never be serviced or cleaned while it is plugged in.
- Make sure the unit is secure, stable and safe from falling over or falling down before operating.
- Do not sit or stand on the unit or use as a shelf.
- Do not leave device plugged in when not in use.
- Indoor use only. Do not expose to water or rain—store indoors.
- Use only as described in this manual.
- Use only Manufacturer’s recommended attachments. Contact Therma-Stor for proper repair instructions.
- Do not pull or carry it by the power cord, use cord as a handle, close doors on cord or pull cord around sharp edges.

- Do not run over cord.
- Keep cord away from heated surfaces.
- Do not handle power cord plug with wet hands.
- Turn off all controls before unplugging.
- Do not use when you are tired, distracted or under the influence of drugs, alcohol or medication.

LIRE ET CONSERVER CES INSTRUCTIONS

- Risque de choc électrique Peut causer des blessures ou la mort. Débrancher toutes les alimentations en courant électrique à distance avant l'entretien ou le nettoyage.
- Ne pas utiliser l'appareil avec un cordon d'alimentation coupé ou effiloché.
- Ne pas débrancher l'appareil en tirant sur le cordon. Tenir la fiche fermement et la tirer hors de la prise murale ou la prise d'alimentation électrique.
- Toujours utiliser une prise mise à la terre.
- Ne jamais utiliser l'équipement électrique dans de l'eau stagnante.
- Ne jamais utiliser sans les grilles de protection. Des blessures risquent d'en résulter.
- Ne pas brancher plus de 8 ampères au total au différentiel.
- Vérifier la protection du différentiel avant chaque utilisation en appuyant sur le bouton " test ". Si l'appareil fonctionne correctement, le bouton " reset " ressort.
- Ne pas passer les doigts ou d'autres objets dans les grilles de protection.
- Ne pas diminuer le débit d'air arrivant jusqu'à l'appareil. L'appareil risque de trop chauffer.
- Ne pas s'asseoir ou se tenir debout sur l'appareil; ne pas l'utiliser comme étagère ou table.
- Avant de laisser un appareil aéroulique axial sans surveillance, s'assurer que les enfants n'ont pas accès à l'équipement. Ne pas laisser les enfants jouer avec l'appareil ou à proximité de l'appareil ou dans l'air qu'il projette.
- Pour réduire le risque d'incendie ou de choc électrique, ne pas utiliser ce ventilateur avec un dispositif de commande de vitesse à semi-conducteurs.

2 Specifications

Part No.	4032280	
Power	230v AC, 50 hz.	
Operating Positions	3 – 0°, 45°, 90°	
Drive Motor	1/3 Horsepower, 2-Speed	
Motor	Thermal cut-off	
Protection		
Cord Length	6.1 meters	
Airflow	2700 ft/min outlet velocity	
Current Draw	2.0 Amps High speed, 1.5 Amps Low speed	
Warranty	One Year - 100% parts and labor (all components)	
	Three Years - Only materials and workmanship of the housing are covered.	

Dimensions	Machine	Shipping
Width	43.82cm	43.94cm
Height	50.8cm	50.8cm
Depth	49.28cm	80.5cm
Weight	12.25kg	13.61kg

3 Operation Instructions

The Phoenix Centrifugal Air Mover is intended for use by water damage restoration, carpet cleaning, construction, and janitorial/sanitation professionals in general ventilating and structural surface drying applications. The Phoenix Centrifugal Air Mover as packaged is ready to be put into service. Inspect the unit completely for any shipping damage. Place the unit on the ground. Plug the unit into a grounded outlet and select the drying mode.

CAUTION

CAUTION: The Phoenix Centrifugal Air Mover consumes 2.0 Amps on high speed.

4 Operator Panel Features

4.1 Power Indication Lamp

The red, sealed, high intensity AC voltage power indication lamp allows operators to visually identify the operation status of several Phoenix Centrifugal Air Movers at a distance, with a single glance. The power indication lamp will remain lit when the AC power cord is plugged into a standard "powered" AC power outlet and the 3-Position drying selector switch is in either the HIGH or LOW operation position. The power indication lamp will remain unlit when the AC power cord is unplugged, the 3-Position drying selector switch in the OFF position, or the connected, standard AC wall outlet power has been turned off.

4.2 3-Position Drying Selector Switch

The Phoenix Centrifugal Air Mover features a three-position switch - LOW-OFF-HIGH.

1. Inspect the machine for damage and airflow obstructions prior to plugging it in or operating it.
2. Ensure the power switch is in the OFF (middle) position.
3. Place the machine into the desired position for operation. Ensure that the machine rests stable and secure and will not overturn.
4. Turn the unit on to the desired speed, high or low.

5 How to Stack

Place your first fan on the floor, motor side down. Pick up your second fan and orient it above the first fan. Engage the alignment nubs on the side of both snouts. Rotate the second fan down into position until the grills engage. If the fans will be transported while stacked, they must be securely strapped into position.

6 Maintenance

⚠ WARNING

WARNING: Disconnect the unit from power before servicing or cleaning. Replace the safety grill after servicing or cleaning.



PNs 4032280 and 4032280 are pictured to demonstrate maximum stackability.

6.1 Servicing

Before each use, inspect for damage, blocked inlet or outlet, or any excess buildup of foreign material.

When the Phoenix Centrifugal Air Mover is first turned on, check for excessive vibration. If the unit vibrates excessively or if blower wheel rubs on housing, turn off the unit immediately. Have a service technician inspect the unit to locate the problem.

6.2 Cleaning

The housing is made of a durable and washable polyethylene. When cleaning, the use of solvents is NOT recommended.

! IMPORTANT

CORRECT DISPOSAL OF THIS PRODUCT:

This marking indicates that this product should not be disposed with other household wastes throughout the EU. To prevent possible harm to the environment or human health from uncontrolled waste disposal, recycle it responsibly to promote the sustainable reuse of material resources. To return your used device, please use the return and collection systems or contact the retailer where the product was purchased. They can take this product for environmental safe recycling

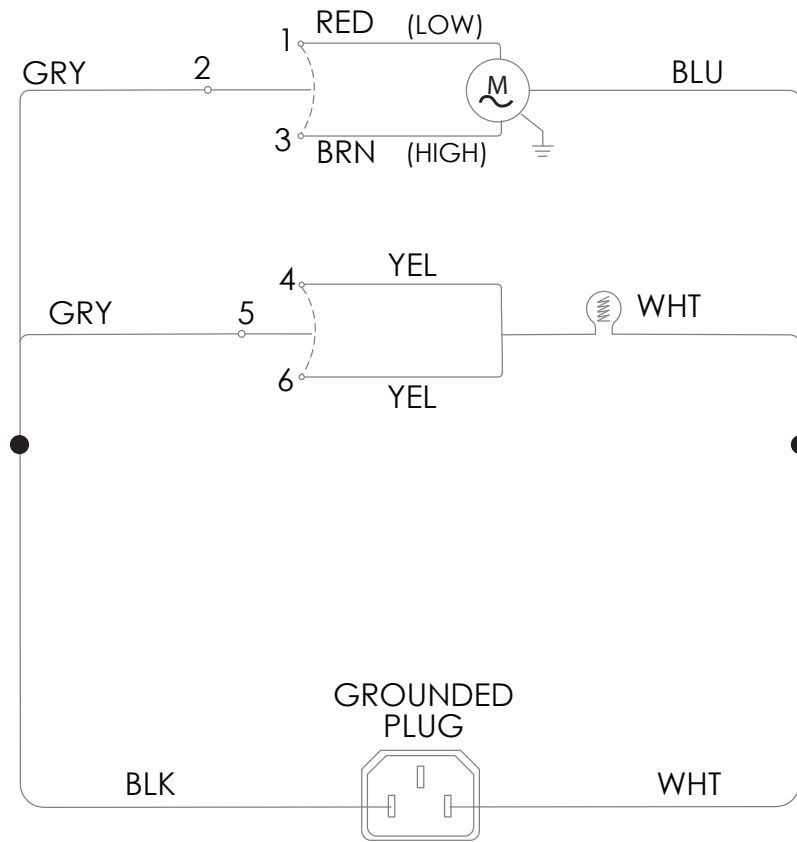


7 Replacement Parts and Optional Accessories

4027548	MOTOR,CAM 50HZ,220V
4027568	LIGHT,CAM PILOT,230V
4027572	BLOWER WHEEL,CAM
4030982	GRILL,MOTOR SIDE,STACKABLE
4030983	GRILL,WHEEL SIDE,STACKABLE CAM
4030984	GRILL,SNOUT,STACKABLE CAM
4029721	ROCKER SWITCH,DPDT
4028264	CORD, IEC C13 to BS 1363 U.K. Plug
4028265	CORD, IEC C13 to AS 3112 Australian Plug
4028268	CORD, IEC C13 to CEE 7/7 European Plug
4028256	CORD,14/3,SJTW,250V,IEC,3

Contact the factory at 1-800-533-7533 to order replacement parts, or optional accessories

8 Wiring Diagram





Therma-Stor LLC

4201 LIEN RD. • MADISON, WI 53704



PHOENIX

Phoenix Stackable CAM 50Hz - Air Mover

LIMITED WARRANTY

Warrantor:

Therma-Stor LLC

4201 Lien Rd

Madison, WI 53704

Telephone: 1-800-533-7533

Warranty: This warranty covers Phoenix Stackable Centrifugal Air Movers, Part Number 4032280

Year One: - 100% parts and labor (all components)

Year Two: - 100% parts only (all components)

Year Three: - Materails and workmanship of the housing only are covered.

If a defect in materials or workmanship occurs within the warranty period, Therma-Stor LLC will repair or replace the defect.

End-User Responsibilities: Warranty service must be performed by a servicer authorized by Therma-Stor LLC. To obtain warranty service you must obtain a return material authorization (RMA). To obtain an RMA you must present proof of purchase or (lease), by use of a warranty card, original sales receipt or other reasonable and reliable means. To obtain an RMA call Therma-Stor LLC at the above number and ask for the Therma-Stor LLC Service Department, which will then issue an RMA# and arrange for, at our option, either repair or replacement.

Freight: Freight to and from the servicer is the responsibility of the end-user. The end-user is responsible for normal care and proper return packaging.

Limitations and Exclusions: This warranty does not cover any defect, malfunction, etc. resulting from misuse, abuse, lack of normal care, corrosion, freezing, tampering, modification, unauthorized or improper repair or installation, accident, acts of nature or any other cause beyond Therma-Stor LLC's reasonable control.

If any Phoenix Centrifugal Air Mover part is repaired or replaced, the new part shall be warranted for the balance of original warranty (but all warranty periods will be extended by the period of time, if any, that the Phoenix Centrifugal Air Mover is out of service while awaiting covered warranty service).

Warranty service will be performed during normal working hours.

UPON THE EXPIRATION OF THE WRITTEN WARRANTY APPLICABLE TO THE PHOENIX CENTRIFUGAL AIR MOVER OR ANY PART THEREOF, ALL OTHER WARRANTIES IMPLIED BY LAW, INCLUDING MERCHANTABILITY AND FITNESS FOR A PARTICULAR PURPOSE, SHALL ALSO EXPIRE. ALL WARRANTIES MADE BY THERMA-STOR LLC ARE SET FORTH HEREIN, AND NO CLAIM MAY BE MADE AGAINST THERMA-STOR BASED ON ANY ORAL WARRANTY. IN NO EVENT SHALL THERMA-STOR LLC, IN CONNECTION WITH THE SALE, INSTALLATION, USE, REPAIR OR REPLACEMENT OF ANY PHOENIX CENTRIFUGAL AIR MOVER OR PART THEREOF BE LIABLE UNDER ANY LEGAL THEORY FOR ANY SPECIAL, INDIRECT OR CONSEQUENTIAL DAMAGES INCLUDING WITHOUT LIMITATION WATER DAMAGE (THE END USER SHOULD TAKE PRECAUTIONS AGAINST SAME), LOST PROFITS, DELAY, OR LOSS OF USE OR DAMAGE TO ANY REAL OR PERSONAL PROPERTY.

Some states do not allow limitations on how long an implied warranty lasts, and some do not allow the exclusion or limitation of incidental or consequential damages, so one or both of these limitations may not apply to you.

Legal Rights: This warranty gives you specific legal rights, and you may also have other rights which vary from state to state.