



**Therma-Stor** LLC

4201 LIEN RD. • MADISON, WI 53704



**PHOENIX**

# FOCUS II | AXIAL AIR MOVER

## OWNER'S MANUAL

### Installation, Operation & Service Instructions - READ AND SAVE THESE INSTRUCTIONS -

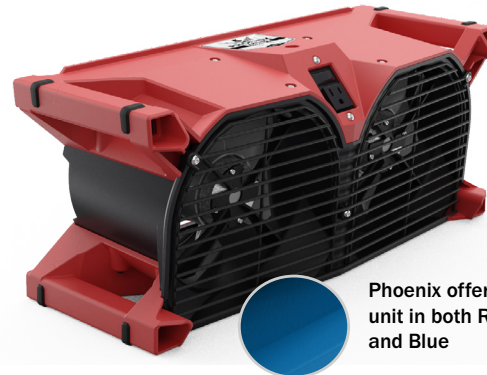
The Phoenix FOCUS II is the new leader in performance, convenience, portability, and safety for low profile air movers.

Its ultra compact (21" X 8 1/4" footprint and 9 3/8" height) make the Phoenix Focus II the most compact and portable fan in its class. The rugged molded in handles give you the solid control required when packing and unpacking air movers. Its easy-winding cord wrap and multiple securement options makes it a snap to prep for transport. Because of its deeply-molded interlocking features, the Phoenix Focus II is rock solid when stacked for transport.

With its Patent Pending design, and optimized outlet shape, the Phoenix Focus II delivers airflow of over 1000 CFM. This gives you high velocity air over a 50% larger area than other low profile air movers. In addition, the Phoenix Focus II is stable on all five sides for maximum flexibility to position and direct the drying. Optional Focus Control Sticks, allows unprecedented control with amazing flexibility.

The (patent pending), compact design of the Phoenix Focus II allows four times the number of full-size axial air movers, maximizing valuable storage space during transportation and resulting in industry leading deployment on site.

All this performance is available with half the power draw. At 1.1 amps the Phoenix Focus II sets the industry standard for drying per amp.



Phoenix offers this unit in both Red and Blue

Phoenix Focus II  
PN 4042250-01 (Red)  
4042250-02 (Blue)  
4042250-03 (Green)



Patent: [thermastor.com/patents](http://thermastor.com/patents)

©Therma-Stor LLC

### The Phoenix Focus II

- 1,015 CFM, 1.1 Amp
- Four air movers in the space of one
- Daisy chain up to 10 fans on a single 15 Amp circuit
- Dual stacking and cord wrap options
- All stainless steel fasteners



SCAN ME

Specifications subject to change without notice.

USEPHOENIX.COM | 800-533-7533

TS-1197  
12/23 Rev. E



## Table of Contents

Introduction .....	1
1. Specifications .....	2
2. Important Safety Instructions .....	2
3. Operation.....	2
3.1 Transporting the Phoenix Focus II.....	2
3.2 Electrical Requirements.....	3
3.3 Focus Corners .....	3
3.4 Resettable Circuit Breaker .....	3
4. Maintenance .....	3
4.1 Power Cord.....	3
4.2 Cleaning.....	3
4.3 Service .....	3
5. Wiring Diagram .....	4
6. Service Parts.....	5
7. Accessories .....	5
Warranty.....	6

Serial No. \_\_\_\_\_

Purchase Date \_\_\_\_\_

Dealer's Name \_\_\_\_\_

Read the operation and maintenance instructions carefully before using this unit. Proper adherence to these instructions is essential to obtain maximum benefit from your Phoenix Focus II.

# 1 Specifications

Part No.	4042250-01 (Red) 4042250-02 (Blue) 4042250-03 (Green)
Power	110-120 VAC, 1.1 Amps
Blower	1,015 CFM
Cord Length	17ft 6in
Warranty	One Year, 100% Parts and Labor
Dimensions	Width           21" Height           9 3/8" Depth           8 1/4" Weight           16 lbs.

# 2 Important Safety Instructions

**CAUTION:** Risk of electric shock. Can cause injury or death to reduce the risk of electric shock:

- Do not expose to standing water or rain.
- Unplug fan before servicing.
- Do not block air intake or outlet. One foot minimum distance to obstructions.

### Indoor use only

- Do not use as stool or bench.
- Do not operate with damaged cord or plug.
- Do not run cord under carpeting. Do not cover cord with throw rugs, runners, or similar coverings. Do not route cord under furniture or appliances. Arrange cord away from traffic area and where it will not be tripped over.

**WARNING:** Not Suitable for use with Solid-State Speed Controls

**AVERTISSEMENT:** Ne Convient Pas a Des Regulateurs De Vitesse a Semi-Conducteurs

**WARNING:** DO NOT use or store this device in an area that is accessible to children.

**AVERTISSEMENT :** NE PAS utiliser ou stocker cet appareil dans une zone accessible aux enfants.

# 3 Operation

## 3.1 Transporting the Phoenix Focus II

The Phoenix Focus II is designed to be stacked vertically or horizontally ("Bookshelf Stacking") for transport.



### 3.2 Electrical Requirements

The Phoenix Focus II can be plugged directly into any standard wall receptacle. The Phoenix Focus II draws 1.1 amps at 110-120 VAC. Up to 10 Phoenix Focus IIs can be daisy chained on a standard 15 amp branch circuit.

### 3.3 Focus Corners

The Phoenix Focus II is designed with four focus corners to optimize drying over a wide surface area staring directly at the front of the device.

### 3.4 Resettable Circuit Breaker

The 12 Amp thermal circuit breaker protects the unit and devices connected receptacle. In case of a fault, the breaker can be reset at the Phoenix Focus II control panel.

Use of multiple fans and any other connected devices must be in accordance with the National Electric Code and any additional codes or laws required by your local government.

## IMPORTANT

IMPORTANT: Total amperage of the Phoenix Focus II plus all devices plugged into its convenience receptacle is limited by the onboard circuit breaker. Excessive current will cause the circuit breaker to trip. This may occur instantly or after a period of time depending on the operating conditions.

## IMPORTANT

IMPORTANT: When the Phoenix Focus II is plugged into a standard “powered” wall outlet the Phoenix Focus II is electrically “HOT” and AC voltage is present.

## 4 Maintenance

### WARNING

WARNING: Disconnect the unit from power before servicing or cleaning. Replace all safety grills after servicing or cleaning.

#### 4.1 Power Cord

Visually inspect cord and plug head before use. If there are signs of damage or excessive wear, discontinue use until the unit has been serviced.

#### 4.2 Cleaning

The housing is made of durable and washable polypropylene. When cleaning, the use of solvents is NOT recommended.

When washing inside the unit, disconnect the unit from its power source. Protect the switch, receptacle and circuit breaker from water intrusion. Do not spray water or cleaning solution at motor. If motor does get wet, allow motor to dry completely before restarting. If fan is to be washed and not used within 24 hours, allow fan to drip dry for 10 minutes and then run for 5 minutes before storing.

## IMPORTANT

IMPORTANT: Do NOT remove impeller blade from motor assembly. Doing so can cause blade to become imbalanced upon re-assembly.

#### 4.3 Service

### CAUTION

CAUTION: Servicing the Phoenix Focus II with its high voltage circuitry presents a health hazard that could result in death, serious bodily injury, and/or property damage. Disconnect the appliance from the power supply before servicing. Only qualified service people should service this unit.

### CAUTION

CAUTION: If the supply cord or circuit breaker become damaged, they must be replaced by the manufacturer, its service agent or similarly qualified person in order to avoid a hazard.



### 3.2 Electrical Requirements

The Phoenix Focus II can be plugged directly into any standard wall receptacle. Without ducting, the Phoenix Focus II will draw 1.1 amps at 110-120 VAC. Ducting will reduce amp draw. Up to 10 Phoenix Focus IIs can be daisy chained on a standard 15 amp branch circuit.

### 3.3 Focus Corners

The Phoenix Focus II is designed with four focus corners to optimize drying over a wide surface area staring directly at the front of the device.

### 3.4 Resettable Circuit Breaker

The 12 Amp thermal circuit breaker protects the unit and devices connected receptacle. In case of a fault, the breaker can be reset at the Phoenix Focus II control panel.

Use of multiple fans and any other connected devices must be in accordance with the National Electric Code and any additional codes or laws required by your local government.

## IMPORTANT

IMPORTANT: Total amperage of the Phoenix Focus II plus all devices plugged into its convenience receptacle is limited by the onboard circuit breaker. Excessive current will cause the circuit breaker to trip. This may occur instantly or after a period of time depending on the operating conditions.

## IMPORTANT

IMPORTANT: When the Phoenix Focus II is plugged into a standard “powered” wall outlet the Phoenix Focus II is electrically “HOT” and AC voltage is present.

## 4 Maintenance

### WARNING

WARNING: Disconnect the unit from power before servicing or cleaning. Replace all safety grills after servicing or cleaning.

#### 4.1 Power Cord

Visually inspect cord and plug head before use. If there are signs of damage or excessive wear, discontinue use until the unit has been serviced.

#### 4.2 Cleaning

The housing is made of durable and washable polypropylene. When cleaning, the use of solvents is NOT recommended.

When washing inside the unit, disconnect the unit from its power source. Protect the switch, receptacle and circuit breaker from water intrusion. Do not spray water or cleaning solution at motor. If motor does get wet, allow motor to dry completely before restarting. If fan is to be washed and not used within 24 hours, allow fan to drip dry for 10 minutes and then run for 5 minutes before storing.

## IMPORTANT

IMPORTANT: Do NOT remove impeller blade from motor assembly. Doing so can cause blade to become imbalanced upon re-assembly.

#### 4.3 Service

### CAUTION

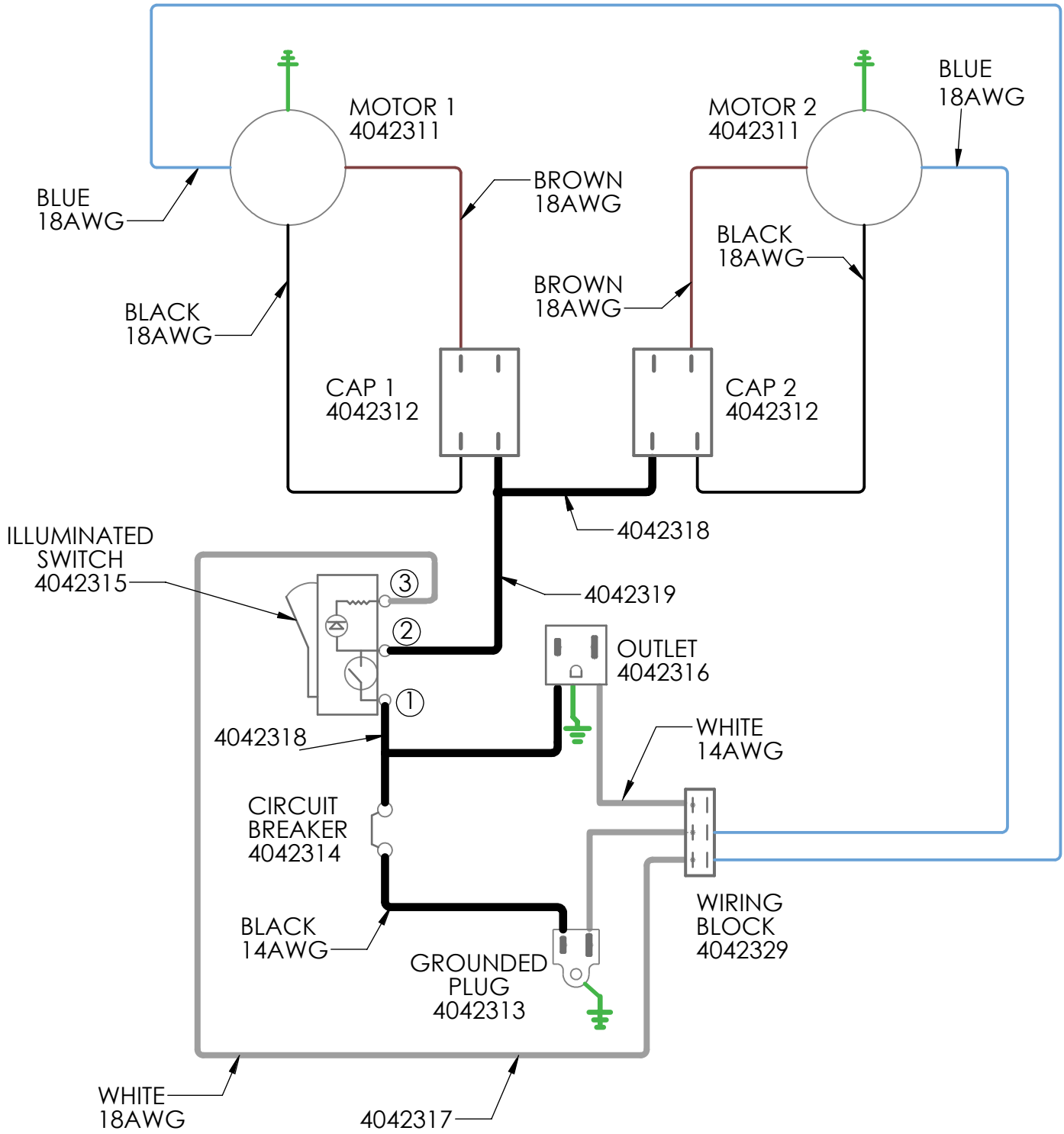
CAUTION: Servicing the Phoenix Focus II with its high voltage circuitry presents a health hazard that could result in death, serious bodily injury, and/or property damage. Disconnect the appliance from the power supply before servicing. Only qualified service people should service this unit.

### CAUTION

CAUTION: If the supply cord or circuit breaker become damaged, they must be replaced by the manufacturer, its service agent or similarly qualified person in order to avoid a hazard.



# 5 Wiring Diagram



## 6 Service Parts

Part No.	Description
4042304	FOOT, FOCUS II
4042305	GRILL, INTAKE, FOCUS II
4042306	GRILL, EXHAUST, FOCUS II
4042311	FAN, MOTOR, FOCUS II
4042312	CAPACITOR, MFD, 500V, DRY, CLASS A
4042313	CORD, 14/3, SJT, 115V, PLUG&LMP
4042314	CIRCUIT BREAKER, A, SNAP-IN
4042315	SWITCH, ROCKER, SPST, ILLUMINATED
4042316	OUTLET, SNAP-IN, 15A, 120V
4042321	SCREW, PNCS, M5X12, SS
4042322	SCREW, PHS, M5X20, THREADFORM, SS
4042323	SCREW, PHCS, M4X12, SS
4042325	SCREW, PHCS, M4X10, SS, W/WASHER

## 7 Accessories

8" x 1/2" CPVC pipe (.625 OD) can be purchased from any hardware store and can be used to allow for additional drying positions.





**Therma-Stor** LLC

4201 LIEN RD. • MADISON, WI 53704



**PHOENIX**

# **FOCUS II | LOW-PROFILE AIR MOVER**

## **LIMITED WARRANTY**

**Warrantor:**

Therma-Stor LLC

4201 Lien Rd

Madison, WI 53704

Telephone: 1-800-533-7533

**Who Is Covered:** This warranty extends only to the original end-user of the Focus II Fan, and may not be assigned or transferred.

**First Year Warranty:** Therma-Stor Products warrants that, for one (1) year the Focus II Fan will operate free from any defects in materials and workmanship, or Therma-Stor Products will, at its option, repair or replace the defective part(s), free of any charge.

**End-User Responsibilities:** Warranty service must be performed by a Servicer authorized by Therma-Stor Products. If the end-user is unable to locate or obtain warranty service from an authorized Servicer, he should call Therma-Stor Products at the above number and ask for the Therma-Stor Products Service Department, which will then arrange for covered warranty service. Warranty service will be performed during normal working hours.

The end-user must present proof of purchase (lease) upon request, by use of the warranty card or other reasonable and reliable means. The end-user is responsible for normal care. This warranty does not cover any defect, malfunction, etc. resulting from misuse, abuse, lack of normal care, corrosion, freezing, tampering, modification, unauthorized or improper repair or installation, accident, acts of nature or any other cause beyond Therma-Stor Products' reasonable control.

**Limitations and Exclusions:** If any Focus II Fan part is repaired or replaced, the new part shall be warranted for only the remainder of the original warranty period applicable thereto (but all warranty periods will be extended by the period of time, if any, that the Focus II Fan is out of service while awaiting covered warranty service).

**UPON THE EXPIRATION OF THE WRITTEN WARRANTY APPLICABLE TO THE Focus II Fan OR ANY PART THEREOF, ALL OTHER WARRANTIES IMPLIED BY LAW, INCLUDING MERCHANTABILITY AND FITNESS FOR A PARTICULAR PURPOSE, SHALL ALSO EXPIRE. ALL WARRANTIES MADE BY THERMA-STOR PRODUCTS ARE SET FORTH HEREIN, AND NO CLAIM MAY BE MADE AGAINST THERMA-STOR PRODUCTS BASED ON ANY ORAL WARRANTY. IN NO EVENT SHALL THERMA-STOR PRODUCTS, IN CONNECTION WITH THE SALE, INSTALLATION, USE, REPAIR OR REPLACEMENT OF ANY Focus II Fan OR PART THEREOF BE LIABLE UNDER ANY LEGAL THEORY FOR ANY SPECIAL, INDIRECT OR CONSEQUENTIAL DAMAGES INCLUDING WITHOUT LIMITATION WATER DAMAGE (THE END-USER SHOULD TAKE PRECAUTIONS AGAINST SAME), LOST PROFITS, DELAY, OR LOSS OF USE OR DAMAGE TO ANY REAL OR PERSONAL PROPERTY.**

Some states do not allow limitations on how long an implied warranty lasts, and some do not allow the exclusion or limitation of incidental or consequential damages, so one or both of these limitations may not apply to you.

**Legal Rights:** This warranty gives you specific legal rights, and you may also have other rights which vary from state to state.

